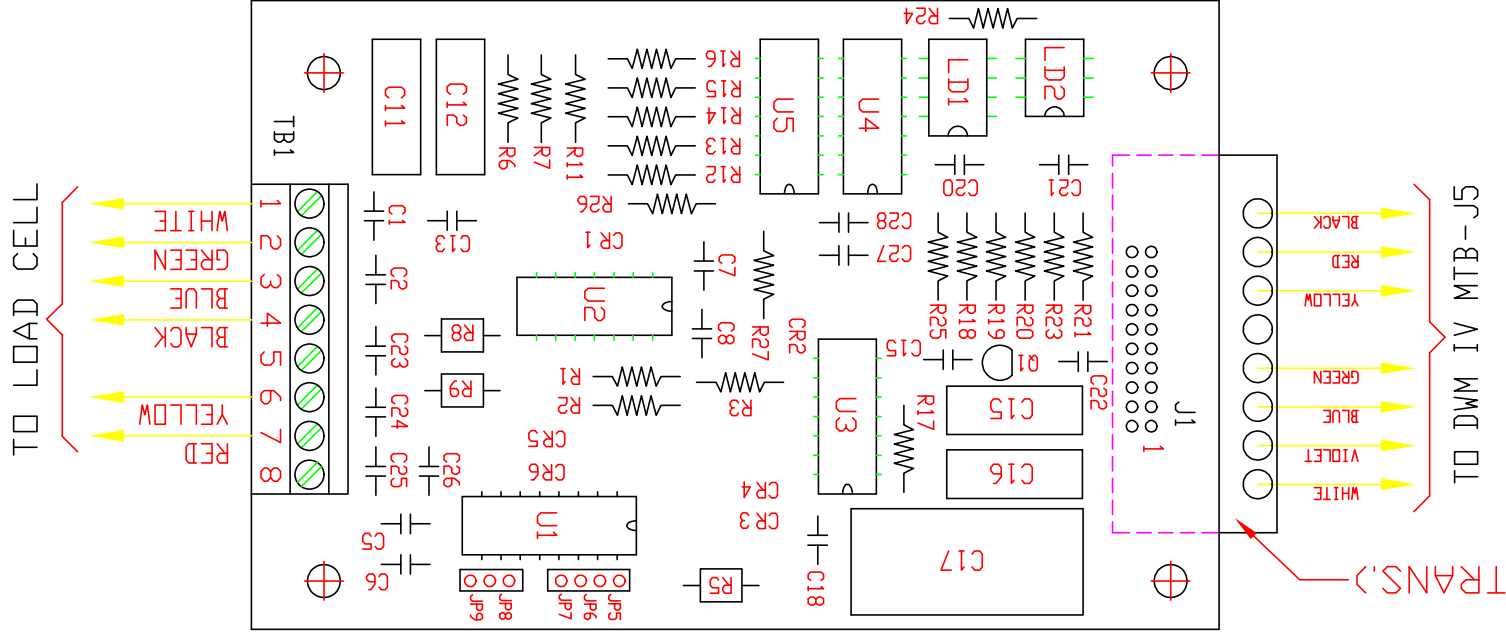


VIEW FROM "A"

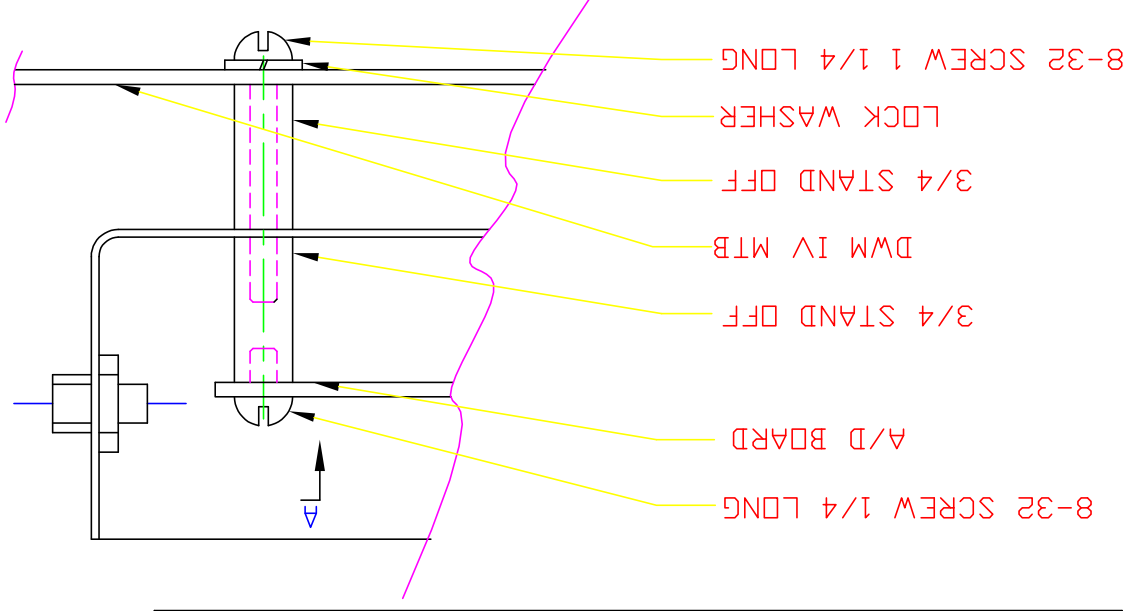


TO LOAD CELL

RED
YELLOW
BLACK
BLUE
GREEN
WHITE

TO DWM IV MTB-J5

WHITE
VIOLET
BLUE
GREEN
YELLOW
RED
BLACK



TOLERANCE UNLESS OTHERWISE SPECIFIED

.X ±
.XX ±
.XXX ±
DEC. ±
FRAC. ±
ANG. ±

APPROVALS DATE

DRAWN. Jbottu 6/12/91

CKD.
ENG.

flex-weigh corporation
SANTA ROSA, CALIFORNIA 95403



TITLE WIRE COLOR CODE FOR RFI-A/D BRD

SCALE SIZE DWG. NO. REV.

A MA 4277-A

CAD FILE NAME: M4277A

DO NOT SCALE DRAWING SHEET

MA 4303 (RFI TRANS.)